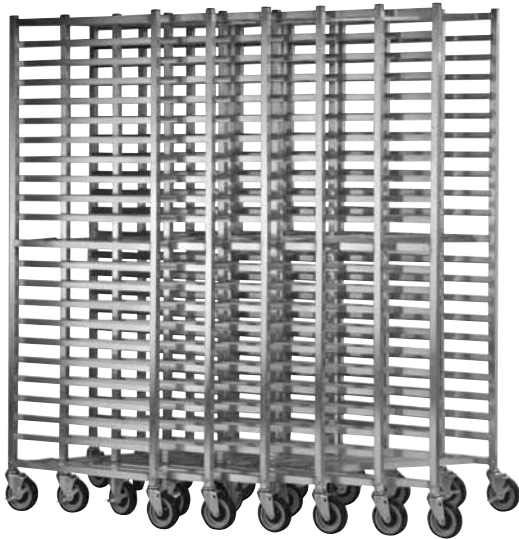


WELDED, NESTABLE "Z FRAME"

Aluminum Sheet Pan Racks



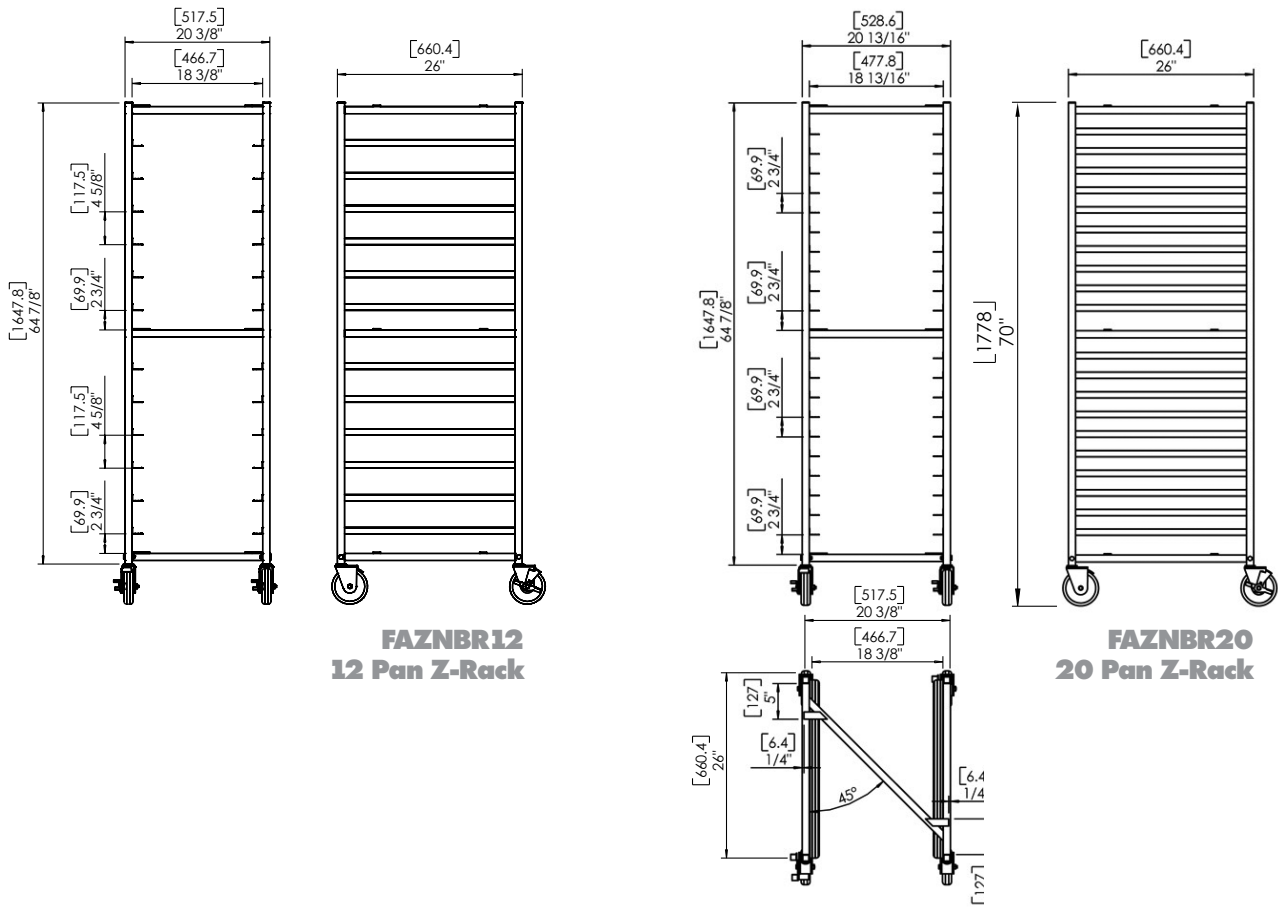
- **Construction:** Heavy duty, end-loading welded rack. "Z frame" construction. Made from type 6063-T5 ultra-strong aluminum.
- **Efficient Storage:** End-load pan design nests while not in use. 6 nested racks take up the same space as 2 regular welded racks – maximizes storage space. Ribbed slides for easier loading and unloading of pans.
- **Flexibility and Selection:** Fits full and half-size sheet pans. 12 or 20 pan capacity models.
- **Ease of Movement:** 5" (12.7 cm) non-marking polyurethane casters- 2 swivel & 2 swivel with brakes.
- **Ships Fully Assembled:** Ready for Use.



Item No.	Description	Size	Approx Pkd. Wt.	Slide Spacing	Pack
FAZNBR12	Welded end-load aluminum Z rack - 12 Pan Capacity	20 ^{13/16"} x 26" x 70" h (52.9 x 66.0 x 177.8 cm)	39 lbs.	5" (12.7 cm)	1
FAZNBR20	Welded end-load aluminum Z rack - 20 Pan Capacity	21 ^{13/16"} x 26" x 70" h (52.9 x 66.0 x 177.8 cm)	45 lbs.	3" (7.6 cm)	1

WELDED, NESTABLE "Z FRAME" ALUMINUM SHEET PAN RACKS Job _____

Welded, Nestable "Z Frame"



Nylon Cover for Full Size Bakery Racks

- **Ease of Use:** 3 zippers for convenient and easy removal and placement of cover over rack.
- **Versatile:** Can be used for end and front load sheet pan racks. Approved for use in dry storage, coolers and freezers without cracking.
- **Durable:** 12 mil thickness for long service life.

Item #	Width / Length / Height		Pack
	(in)	(cm)	
FBRCNF	24" x 28.5" x 62.5"	61.0 x 72.4 x 158.8	12