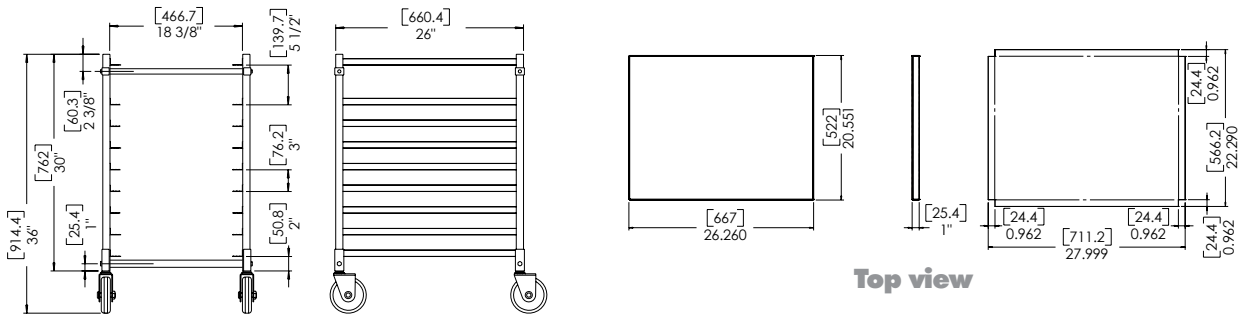


K/D ALUMINUM MACHINE STAND & SHEET PAN RACK



- **Construction:** Heavy duty, end-loading welded rack. Made from type 6063-T5 ultra-strong aluminum. 14 gauge aluminum top.
- **Efficient Storage:** Dual purpose rack maximizes valuable kitchen space. 14 gauge aluminum top functions as a machine stand, and the 9 pan capacity allows you to store product underneath.
- **Flexibility and Selection:** Holds 9 full sized sheet pans. Also holds half sized pans.
- **Ease of Movement:** 5" (12.7 cm) non-marking polyurethane casters- 2 swivel & 2 swivel with brakes.
- **Ease of Assembly:** Minimal parts for fast and easy assembly.
- **Knocked Down Shipping:** Saves freight costs because each unit is shipped knocked down. All parts are packed in one secure carton.



Item No.	Description	Size	Approx Pkd. Wt.	Slide Spacing	Pack
FAKDMSR9	K/D end-load machine stand & rack	20 ⁹ / ₁₆ " x 26 ¹ / ₄ " x 36" h (52.2 x 66.7 x 91.4 cm)	35 lbs.	3" (7.6 cm)	1