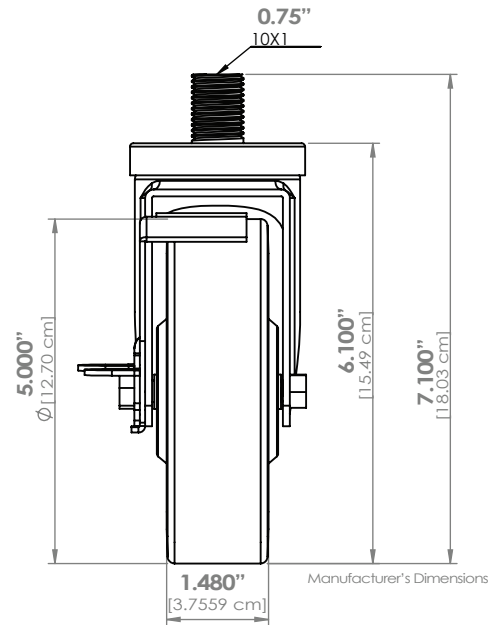
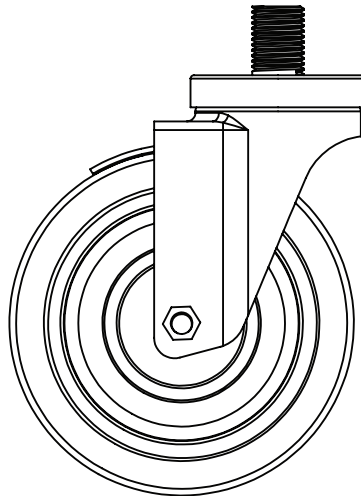
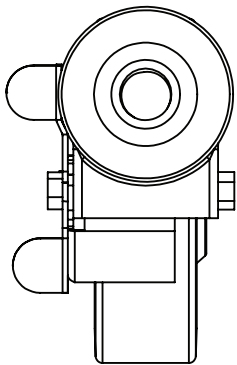




5" UNIVERSAL H-D POLYURETHANE THREADED CASTERS FOR EQUIPMENT [FTC34105HD]

- **Design:** 5" (12.7 cm) diameter, 1 1/4" (3.2 cm) face, heavy-duty grease-resistant, non-marking polyurethane wheel casters fit most foodservice equipment. Adds 6" (15.2 cm) to total height of equipment.
- **Load Rating:** Each caster has a load rating of 300 lbs. (136 kg).



Item #	Description	Pack
FTC34105HD*	Set of 4 each 5" (12.7 cm) universal threaded casters with brakes	4 sets
FT12133E	Individual 5" (12.7 cm) universal threaded caster with brake	4

* Shipped in full color trilingual merchandising carton.