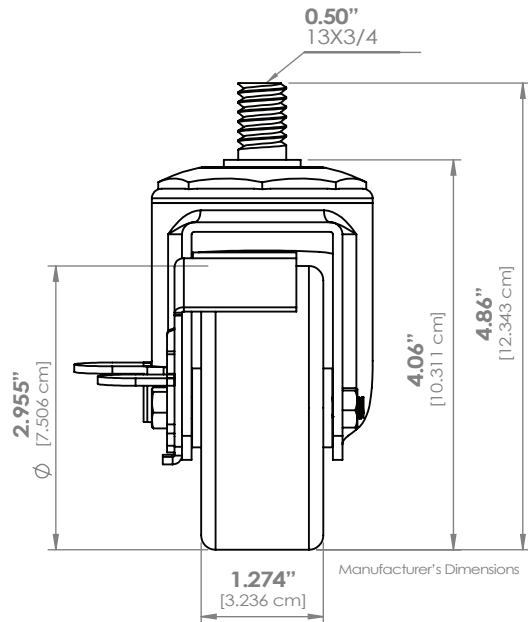
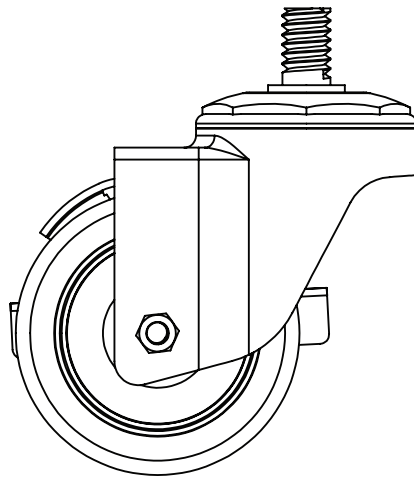
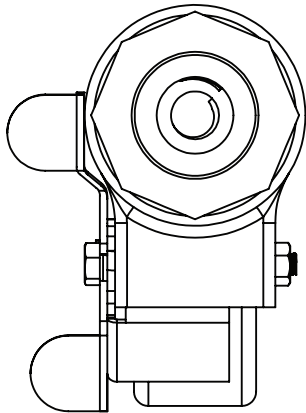




3" UNIVERSAL POLYOLEFIN THREADED CASTERS FOR EQUIPMENT [FTC12133]

- **Design:** 3" (7.6 cm) diameter, 1 1/4" (3.2 cm) face, grease-resistant non-marking polyolefin wheel casters fit most foodservice equipment.
- **Load Rating:** Each caster has a load rating of 220 lbs. (99 kg).



Item #	Description	Pack
FTC12133*	Set of 4 each 3" (7.6 cm) stem casters with brakes	4 sets
FT12133E	Individual 3" (7.6 cm) stem caster with brake	4

* Shipped in full color trilingual merchandising carton.

3" POLYOLEFIN THREADED CASTERS