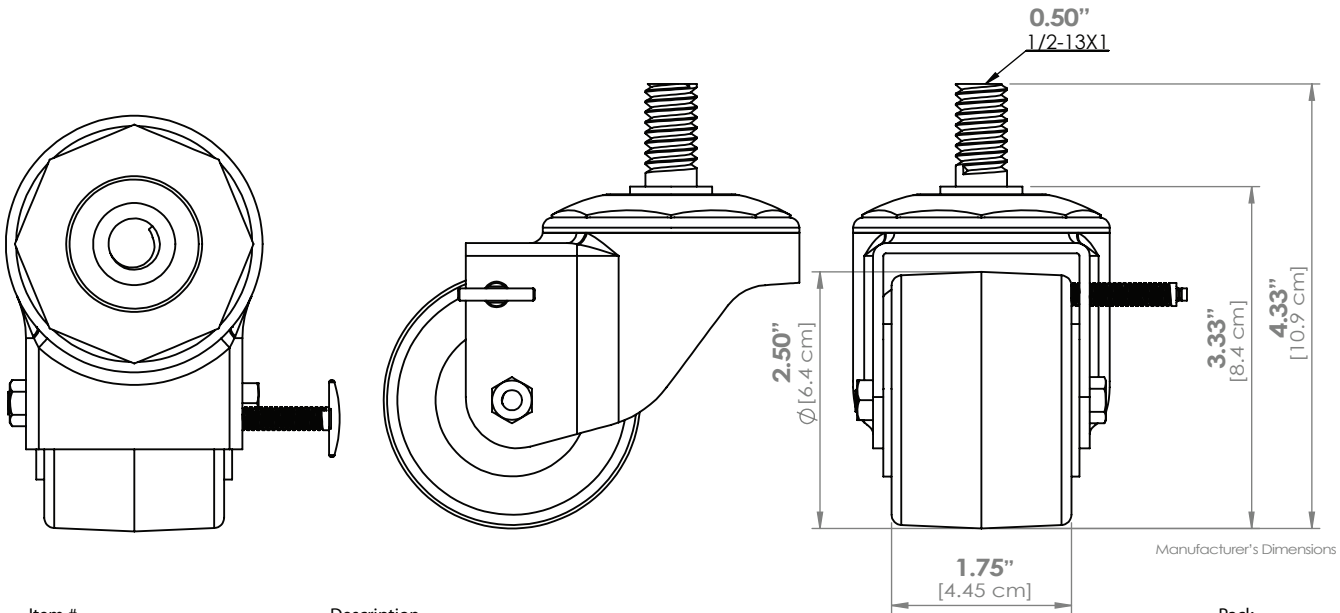




2.5" UNIVERSAL POLYOLEFIN THREADED CASTERS FOR EQUIPMENT [FTC1213125]

- **Design:** 2.5" (6.4 cm) diameter, 1 3/4" (4.45 cm) face, grease-resistant, non-marking polyolefin wheel casters fit most foodservice equipment. Adds 4" (10.2 cm) to total height of equipment.
- **Load Rating:** Each caster has a load rating of 250 lbs. (113 kg).
- **Special Compatibility:** Fits TRUE® Refrigerators.**



Item #	Description	Pack
FTC1213125*	Set of 4 each 2.5" (6.4 cm) universal threaded stem casters with brakes	4 sets
FT1213125E	Individual 2.5" (6.4 cm) universal threaded stem caster with brake	4

* Shipped in full color trilingual merchandising carton.

** This product is not manufactured or authorized by any other manufacturer. Registered Trade Name or Mark of the original manufacturer of the product which this part fits is not owned, associated or to be confused with our company.

2.5" POLYOLEFIN THREADED CASTERS