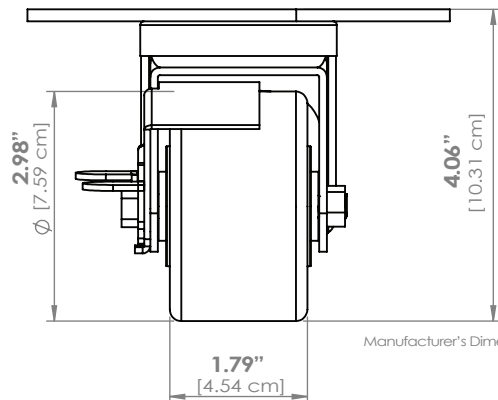
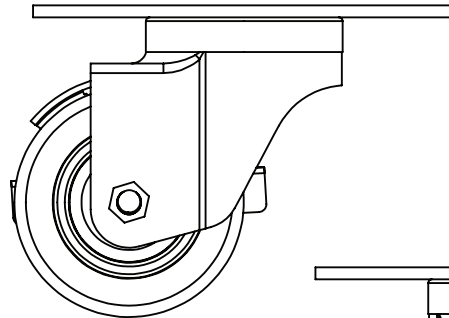
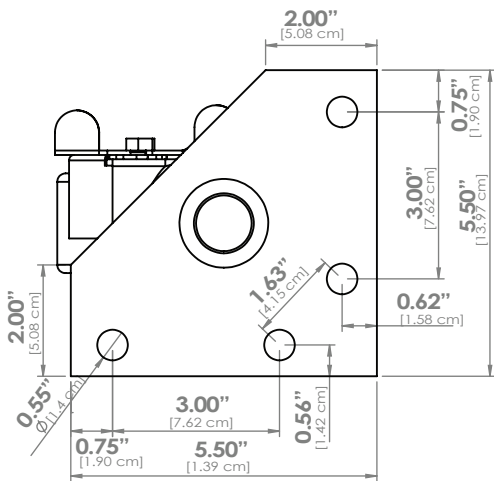




## 5" UNIVERSAL POLYURETHANE CASTERS WITH TRIANGULAR PLATE FOR EQUIPMENT [FPCTR5]

- **Design:** 5" (12.7 cm) diameter, 1 1/4" (3.2 cm) face, heavy-duty grease-resistant, non-marking polyurethane wheel casters. 5 3/8" X 5 3/8" X 7 1/2" (13.7 x 13.7 x 19.1 cm) stainless steel mounting plate to fit most foodservice equipment. Temperature range: 14° F to 212° F (-10° C to 100° C).
- **Load Rating:** Each caster has a load rating of 500 lbs. (226 kg).
- **Notable Compatibility:** Fits Garland® Combi Ovens.\*\*



Manufacturer's Dimensions

Item #	Description	Pack
FPCTR3*	Set of 4 each 3" (7.6 cm) plate casters with brakes - 5 1/2" X 5 1/2" X 5" (14.0 X 14.0 X 12.7 cm) triangular plate	4 sets
FPCTR3E	3" (7.6 cm) plate casters with brakes - 5 1/2" X 5 1/2" X 5" (14.0 X 14.0 X 12.7 cm) triangular plate	4

11 color trilingual merchandising carton

\*\* This product is not manufactured or authorized by any other manufacturer. Registered Trade Name or Mark of the original manufacturer of the product which this part fits is not owned, associated or to be confused with our company.

5" POLYURETHANE CASTERS w/TRIANGULAR PLATE