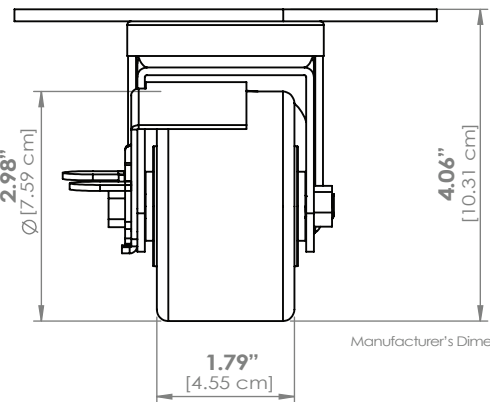
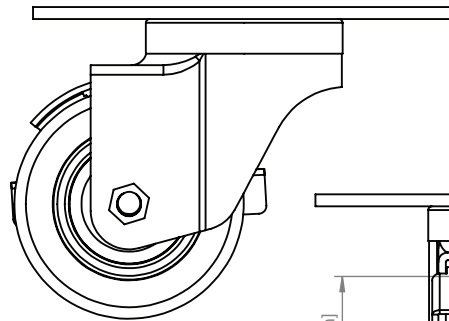
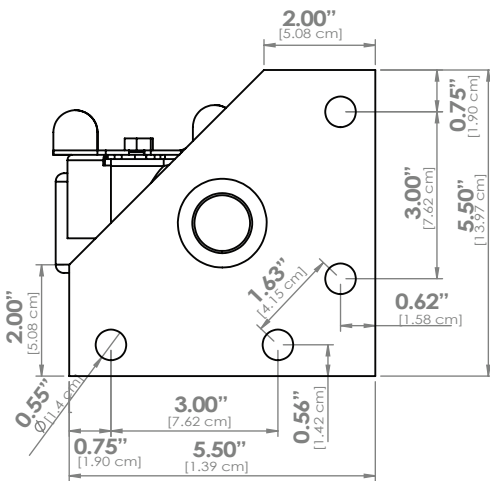




3" UNIVERSAL POLYURETHANE CASTERS WITH TRIANGULAR PLATE FOR EQUIPMENT [FPCTR3]

- **Design:** 3" (7.6 cm) diameter, 1 1/4" (3.2 cm) face, heavy-duty grease-resistant, non-marking polyurethane wheel casters. 5 1/2" X 5 1/2" X 5" stainless steel mounting plate with multiple holes to fit most foodservice equipment. Temperature range: 14° F to 212° F (-10° C to 100° C).
- **Load Rating:** Each caster has a load rating of 500 lbs. (226 kg).
- **Notable Compatibility:** Fits Garland® Combi Ovens.**



Manufacturer's Dimensions

Item #	Description	Pack
FPCTR3*	Set of 4 each 3" (7.6 cm) plate casters with brakes - 5 1/2" X 5 1/2" X 5" (14.0 X 14.0 X 12.7 cm) triangular plates	4 sets
FPCTR3E	Individual 3" (7.6 cm) plate caster with brake - 5 1/2" X 5 1/2" X 5" (14.0 X 14.0 X 12.7 cm) triangular plate	4

* Shipped in full color trilingual merchandising carton.

** This product is not manufactured or authorized by any other manufacturer. Registered Trade Name or Mark of the original manufacturer of the product which this part fits is not owned, associated or to be confused with our company.