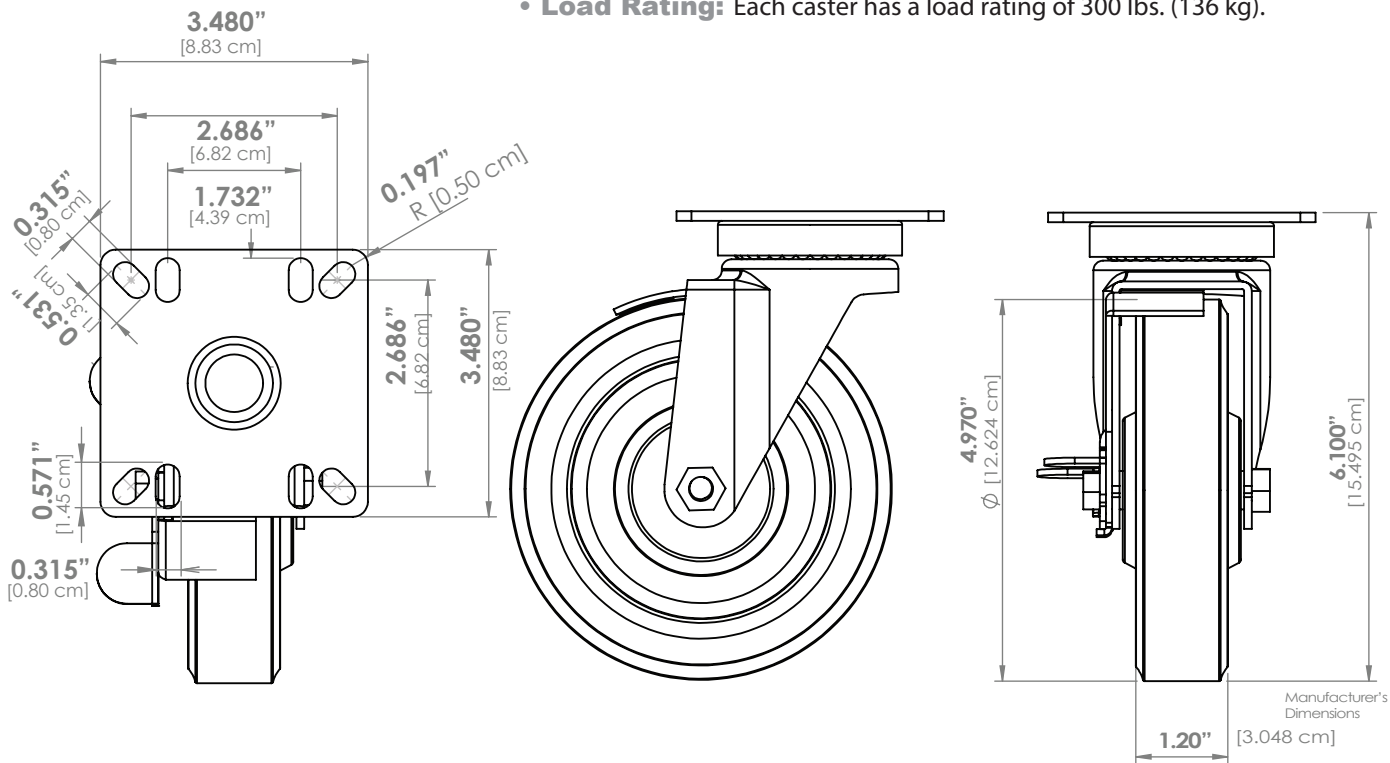




5" UNIVERSAL POLYURETHANE CASTERS WITH 3 1/2" SQUARE PLATE FOR EQUIPMENT [FPCT355]

- **Design:** 5" (12.7 cm) diameter, 1 1/4" (3.2 cm) face, heavy-duty grease-resistant, polyurethane non-marking casters. 3 1/2" stainless steel mounting plate with multiple holes to fit most foodservice equipment. Temperature range: 14° F to 212° F (-10° C to 100° C).
- **Load Rating:** Each caster has a load rating of 300 lbs. (136 kg).



Item #	Description	Pack
FPCST355*	Set of 4 each 5" (12.7 cm) plate casters with brakes - 3 1/2" (8.9 cm) square plates	4 sets
FPCST355E	Individual 5" (12.7 cm) plate caster with brake - 3 1/2" (8.9 cm) square plate	4

* Shipped in full color trilingual merchandising carton.