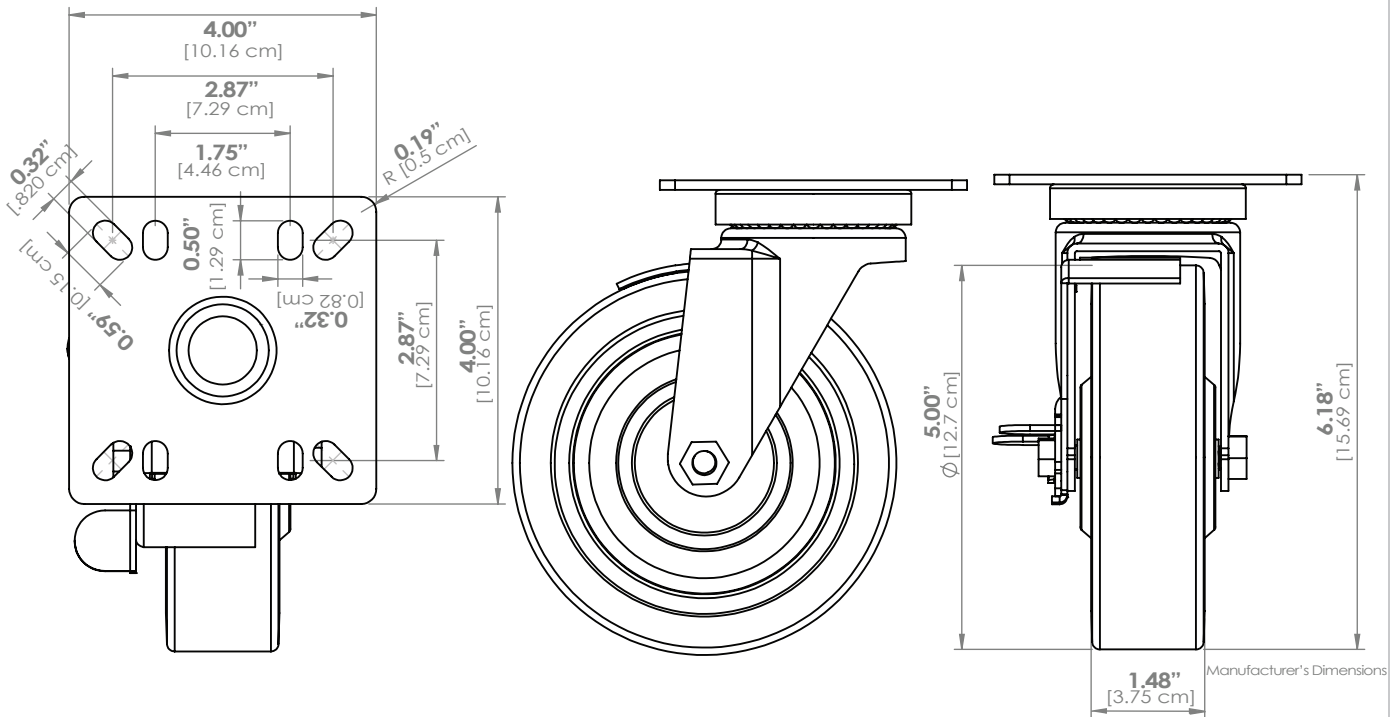




## 5" UNIVERSAL HEAVY-DUTY POLYURETHANE CASTERS WITH 4" SQUARE PLATE FOR EQUIPMENT [FPCST5HD]



- **Design:** 5" (12.7 cm) diameter, 1 1/4" (3.2 cm) face, grease-resistant, non-marking polyurethane wheels. 4" stainless steel mounting plate with multiple holes to fit most foodservice equipment. Temperature range: 14° F to 212° F (-10° C to 100° C).
- **Load Rating:** Each caster has a load rating of 300 lbs. (136 kg).



Item #	Description	Pack
FPCST5HD*	Set of 4 each 5" (12.7 cm) plate casters with brakes - 4" (10.2 cm) square plates	4 sets
FPCST5HDE	Individual 5" (12.7 cm) plate caster with brake - 4" (10.2 cm) square plate	4

\* Shipped in full color trilingual merchandising carton.