

- Step 1 Unpack carton, identify & confirm quantity of components
- Step 2 Insert casters into openings at the bottom of the side panel, see diagram #1. Make sure that hole in caster stem is aligned with hole in side panel opening.
- Step 3 Align threaded opening in 1" diameter rod with opening of inside side panel. Thread 2" screw through the side panel opening and into threaded opening of 1" diameter rod and loosely tighten. Make sure screw head is on the the outside of the side panel. See diagram #2.
- Step 4 Repeat Step 3 for other 1" diameter rod.
- Step 5 Insert 3/4" diameter rod into inside side panel opening.
- Step 6 Align opening in U-bracket with the opening in the outside of the side panel, see diagram #3.
- Step 7 Thread 1 1/8" screw through U-bracket and into 3/4" diameter rod and loosely tighten, see diagram #4.
- Step 8 Repeat steps 5 through 7 for other 3/4" diameter rod.
- Step 9 Place side panel on ground with insert rods facing up.
- Step 10 Place other side panel on top of side panel on the ground so that rods fit into side panel openings.
- Step 11 Insert casters into openings at the bottom of side panel (follow step 2).
- Step 12 Thread 2" screw through the side panel opening and into threaded opening of 1" diameter rod and loosely tighten. See diagram #2.
- Step 13 Repeat step 12 for the other caster.
- Step 14 Align opening in U-bracket with the opening in the outside of the side panel, see diagram #3.
- Step 15 Thread 1 1/8" screw through U-bracket and into smaller diameter rod and loosely tighten, see diagram #4.
- Step 16 Repeat steps 14 & 15 for other U-bracket.
- Step 17 Stand unit upright and tighten all screws.
- Step 18 Place the aluminum top on top of the unit.



Part	Side Panels	Aluminum Top	1" diameter Rods	3/4" diameter Rods	Casters	1 1/8" Screws	U-Brackets	2" Screws
Qty	2	1	2	2	4	4	4	4

ASSEMBLY INSTRUCTIONS

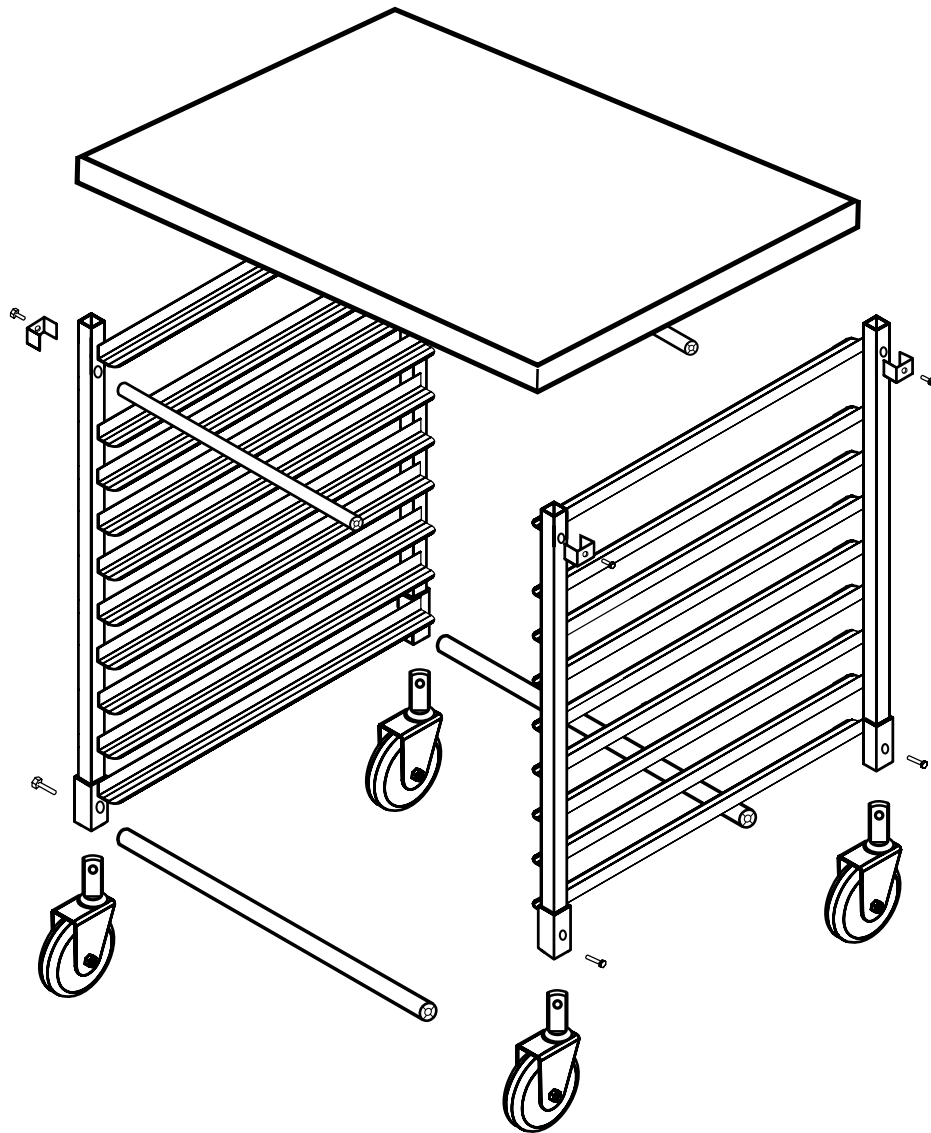


Diagram 1



Diagram 2



Diagram 3

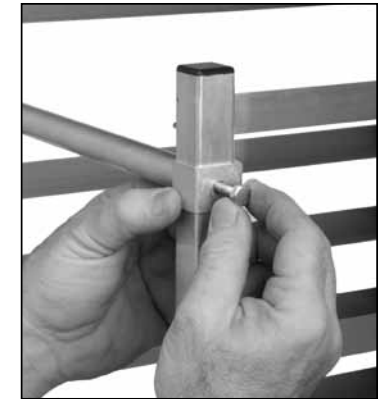


Diagram 4

FOCUS

FOODSERVICE, LLC

Call Customer Service at 1.800.968.3918 | Fax 1.800.968.4129
www.focusfoodservice.com

rev. 0311

INSTRUCCIONES DE MONTAJE

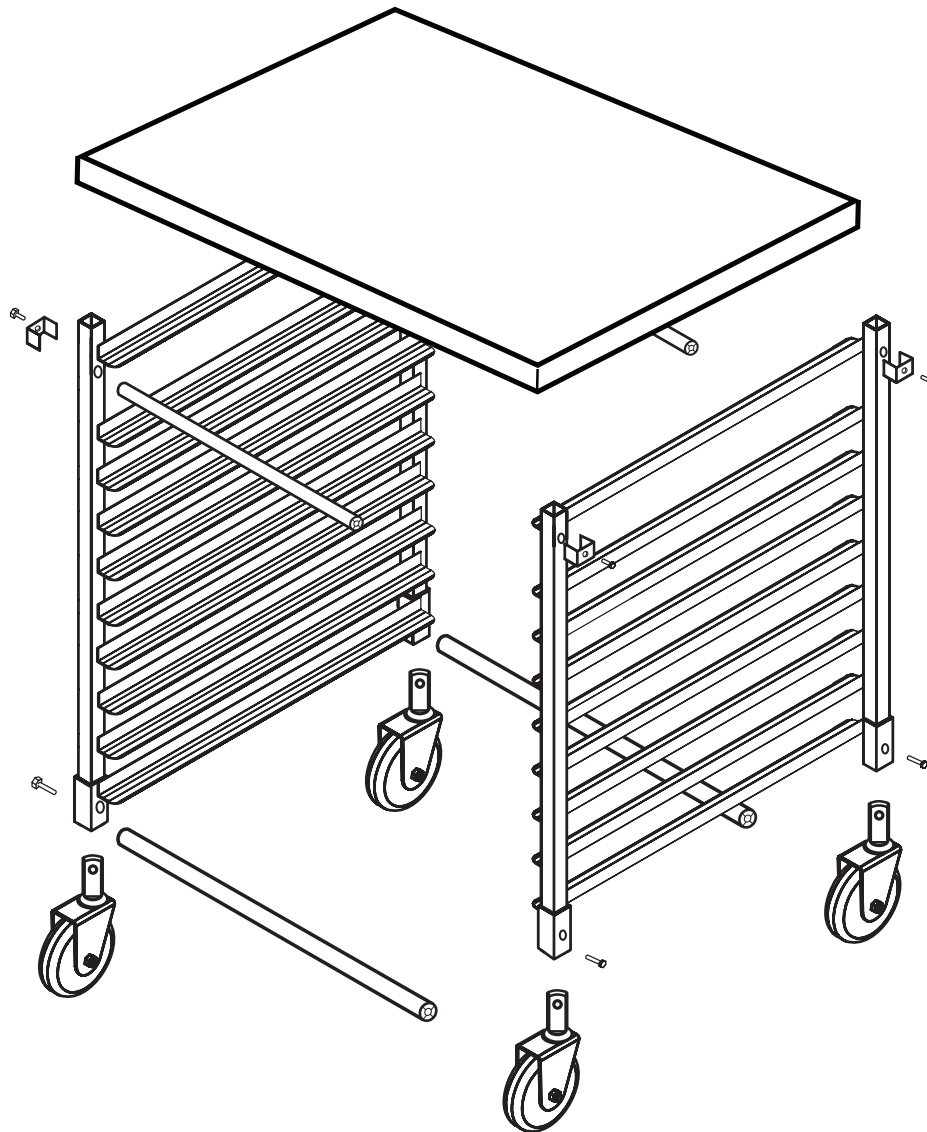


Diagrama 1



Diagrama 2



Diagrama 3

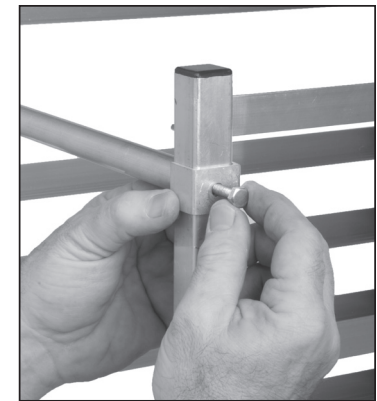


Diagrama 4

FOCUS

FOODSERVICE, LLC

Llame a Atención al Cliente por el 1.800.968.3918 | Fax 1.800.968.4129
www.focusfoodservice.com

rev. 033009