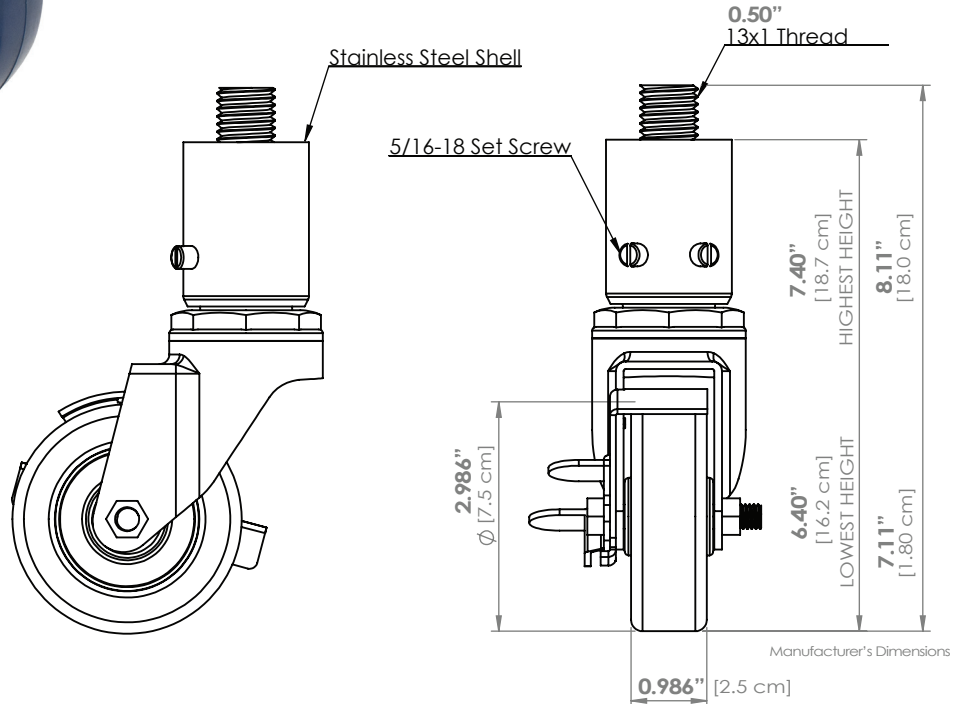
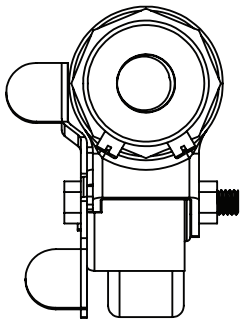




## 3" ADJUSTABLE HEIGHT CASTER FOR EQUIPMENT [FAC31]

- **Design:** 3" (7.6 cm) diameter, 1" (2.5 cm) face, non-marking polyurethane wheel with adjustable stem and stainless steel collar casters fit various foodservice equipment. Adds 7" (17.8 cm) to total height of equipment.
- **Load Rating:** Each caster has a load rating of 200 lbs. (91 kg).
- **Notable Compatibility:** Fits VULCAN® Fryers.\*\*



3" ADJUSTABLE HEIGHT CASTERS

Item #	Description	Pack
FTC1213125*	Set of 4 each 3" (7.6 cm) universal adjustable threaded stem casters (2 swivel & 2 swivel/ brakes)	4 sets
FT1213125E	Individual 3" (7.6 cm) universal adjustable threaded stem caster (swivel/brake)	4

\* Shipped in full color trilingual merchandising carton

\*\* This product is not manufactured or authorized by any other manufacturer. Registered Trade Name or Mark of the original manufacturer of the product which this part fits is not owned, associated or to be confused with our company.