

COMMERCIAL JUICE PRESSES

Athena™



97342

This award winning, patented juice press will effortlessly press every ounce of juice from any citrus fruit. The compact shape fits almost anywhere and is easily transported. 18-8 stainless steel perforated strainer cone and funnel cup remove for easy cleaning. Includes an additional small fruit attachment to juice grapes, berries, apples, pineapples, tomatoes, and other soft fruits. Each unit is packed in a full color tri-lingual box.

- **Durability:** Constructed of ultra-strong cast iron
- **Finish:** Enamel coating resists citrus acids, pitting & corrosion
- **Ergonomic:** Sure grip rubber handles are easy to hold & use
- **Stability:** Wide base and rubber suction cup feet for safe operation
- **Color Choices:** Available in black or white to match any décor



97346



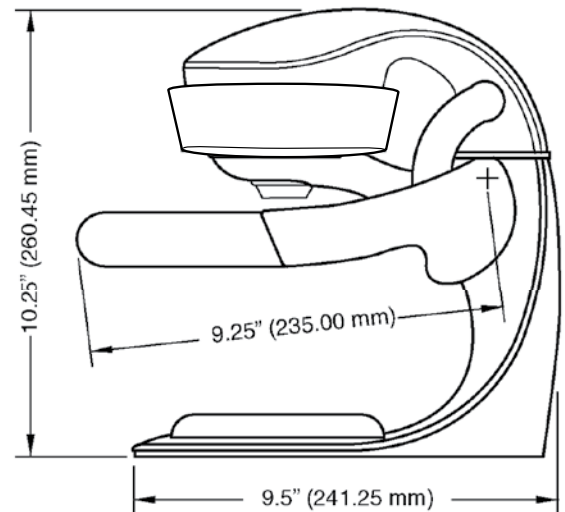
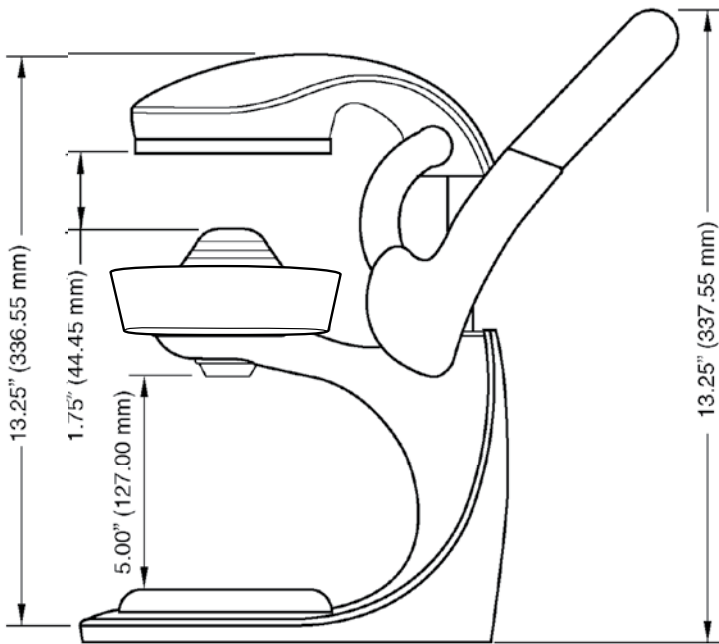
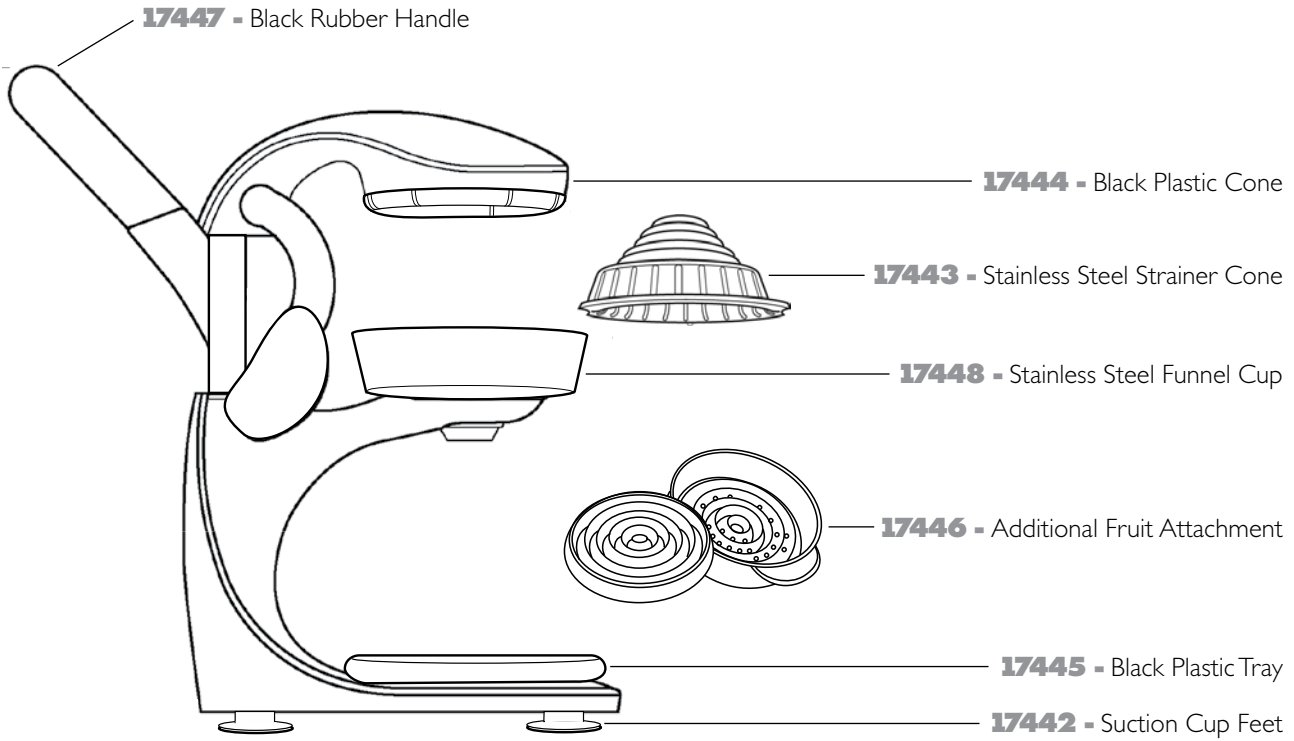
Small fruit insert / attachment to juice berries and other soft fruits is included with all Athena™ Juice Presses.

Item#	Description	Color	Pack
97342	Athena Juice Press	White	2
97346	Athena Juice Press	Black	2

All FOCUS juice presses carry a 1 year warranty. Please follow our use and care instructions for operation and longer product life.

(97342, 97346)

SPECIFICATIONS: PART NUMBERS AND MEASUREMENTS



* Not shown: Base width 6" (150 mm)